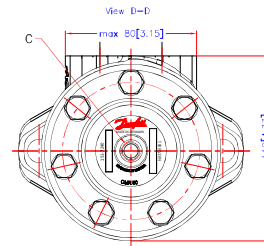
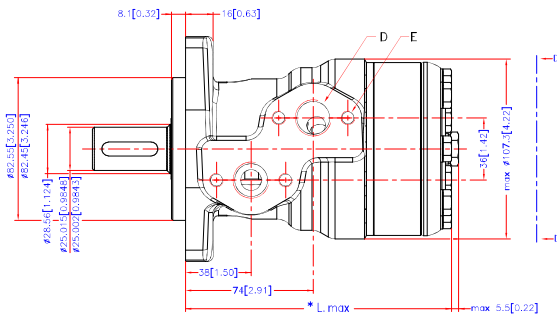
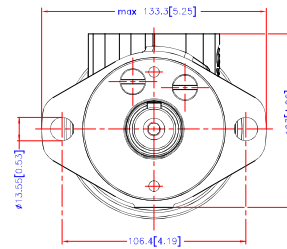
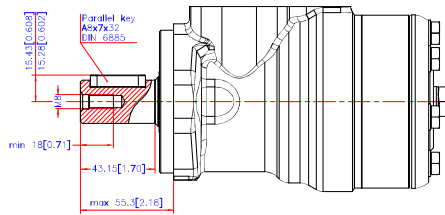
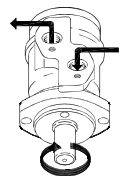


[Reset](#)
[Download 3D Model](#)


Code Number	OM	L max mm/inch	Packaging
151-0710	50	max. 137.8 [5.43]	Single packaging
151-0711	80	max. 142.8 [5.62]	Single packaging
151-0712	100	max. 146.2 [5.76]	Single packaging
151-0713	125	max. 150.6 [5.93]	Single packaging
151-0714	160	max. 156.6 [6.17]	Single packaging
151-0715	200	max. 163.6 [6.44]	Single packaging
151-0716	250	max. 172.3 [6.78]	Single packaging
151-0717	315	max. 183.6 [7.23]	Single packaging
11152837	315	max. 183.6 [7.23]	Industrial packaging
151-0718	375	max. 193.8 [7.63]	Single packaging



C: Drain connection
 0 1/4; 12 [0.47] deep
 D: 0 1/2; min 15 [0.59] deep
 E: M8; 13 [0.51] deep



Tolerance for basic dimensions = ±1 mm (0.04 inch)

Rev	Reason	Date	Scale	Project
1			1:1	
2				
3				
4				
5				
6				
7				
8				
9				
10				



Copyright © Danfoss A/S. All rights reserved. Danfoss A/S is not responsible for any damage or loss of data caused by the use of this drawing. Danfoss A/S is not responsible for any damage or loss of data caused by the use of this drawing. Danfoss A/S is not responsible for any damage or loss of data caused by the use of this drawing. Danfoss A/S is not responsible for any damage or loss of data caused by the use of this drawing.

OMR
Shaft Ø25 mm.
No. 8_151D0357