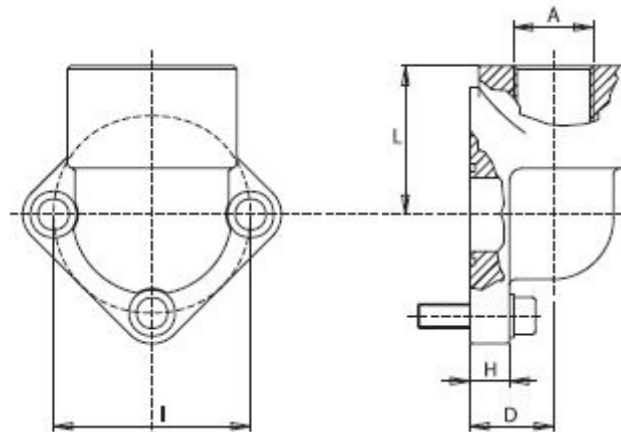
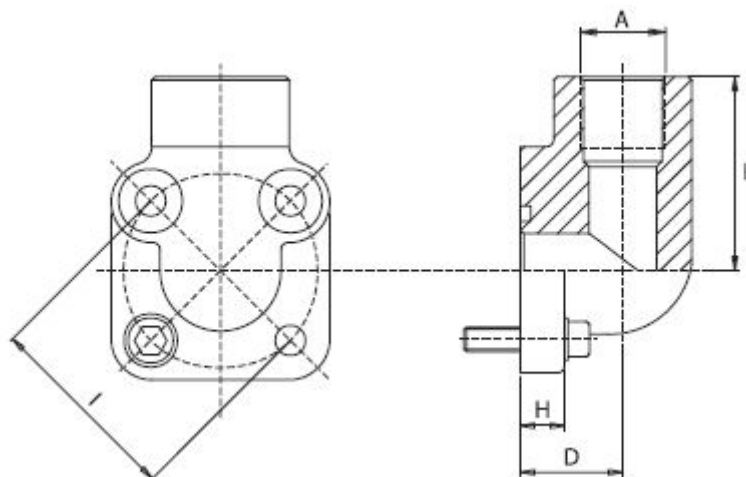


**Pumpenflansch für Zahnradpumpen mit europäischen Anschlüssen (C)**



| Best.-Nr. | Anschluss | A      | I  | D  | H  | L  | Schrauben |
|-----------|-----------|--------|----|----|----|----|-----------|
| 607062    | C1/C2     | 3/8"   | 26 | 17 | 10 | 27 | M5x20     |
| 656198    | C1/C2     | 1/2"   | 26 | 17 | 10 | 27 | M5x20     |
| 607064    | C3        | 1/2"   | 30 | 17 | 10 | 27 | M6x20     |
| 607065    | C5/C7     | 3/4"   | 40 | 21 | 11 | 36 | M8x25     |
| 607066    | CZ/CA     | 1"     | 51 | 27 | 15 | 46 | M10x30    |
| 650563    | CD        | 1 1/4" | 62 | 36 | 16 | 56 | M10x30    |

**Pumpenflansch für Zahnradpumpen mit quadratischen Anschlüssen (B)**



| Best.-Nr. | Anschluss | A    | I  | D  | H    | L    | Schrauben |
|-----------|-----------|------|----|----|------|------|-----------|
| 656196    | B5        | 1/2" | 35 | 18 | 11,5 | 40   | M6x20/35  |
| 656195    | B6/B7     | 3/4" | 40 | 24 | 13   | 42,5 | M6x25/45  |
| 656197    | BA/BB/BC  | 1"   | 55 | 34 | 13   | 54   | M8x25/60  |